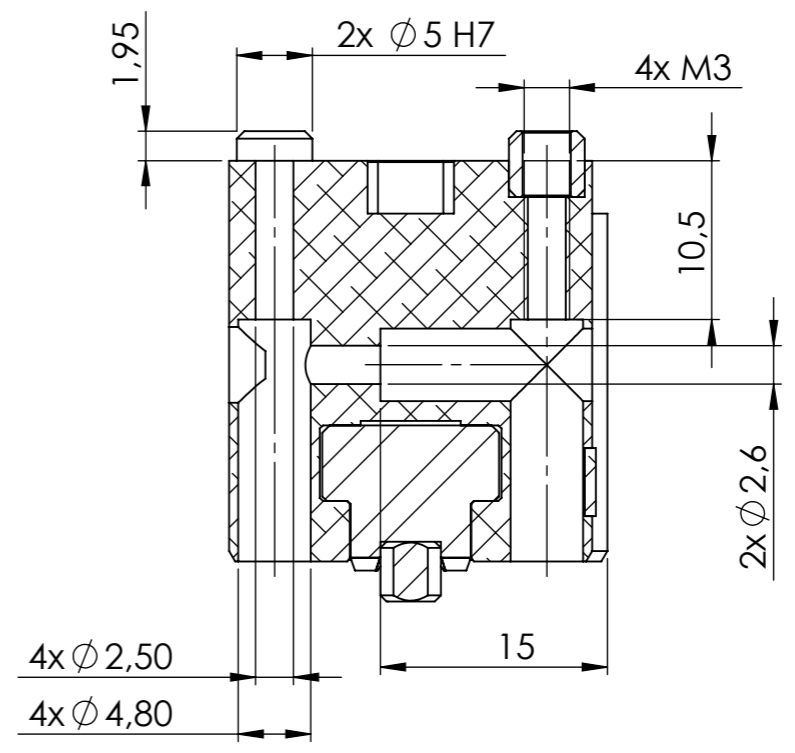
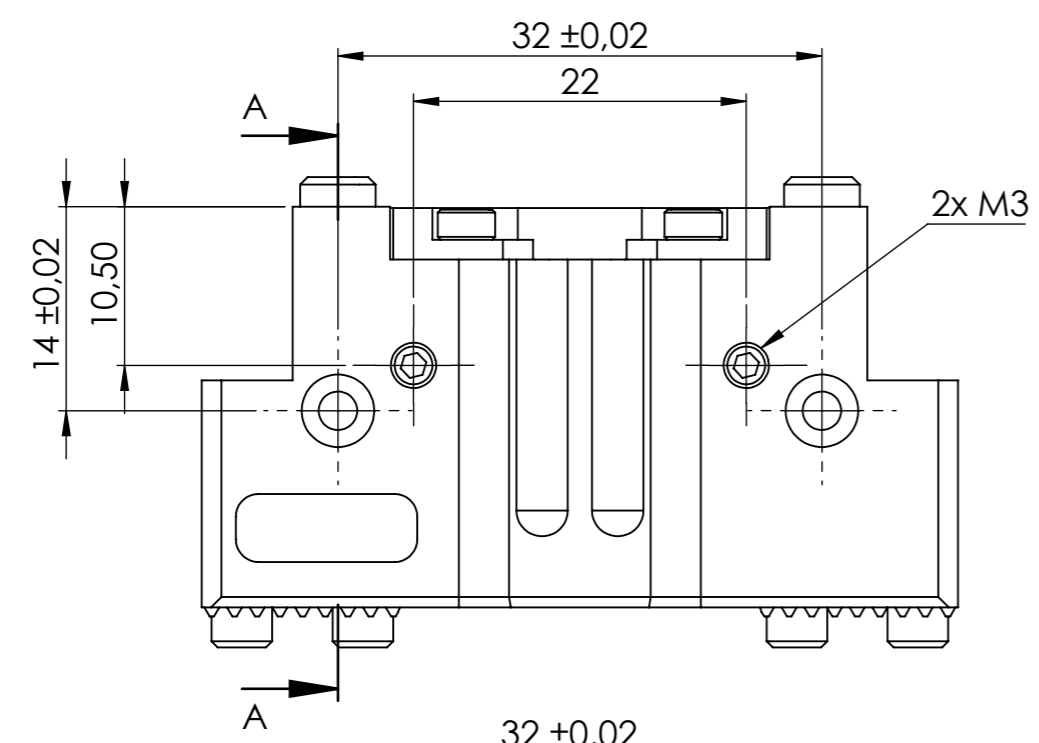
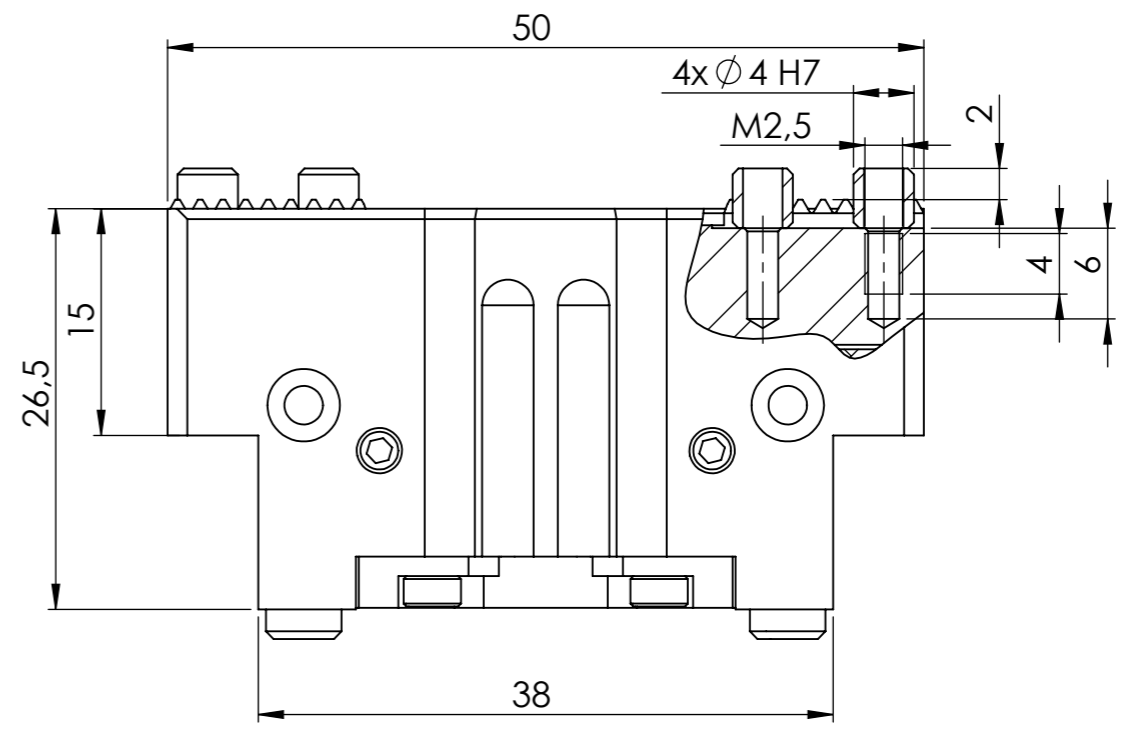
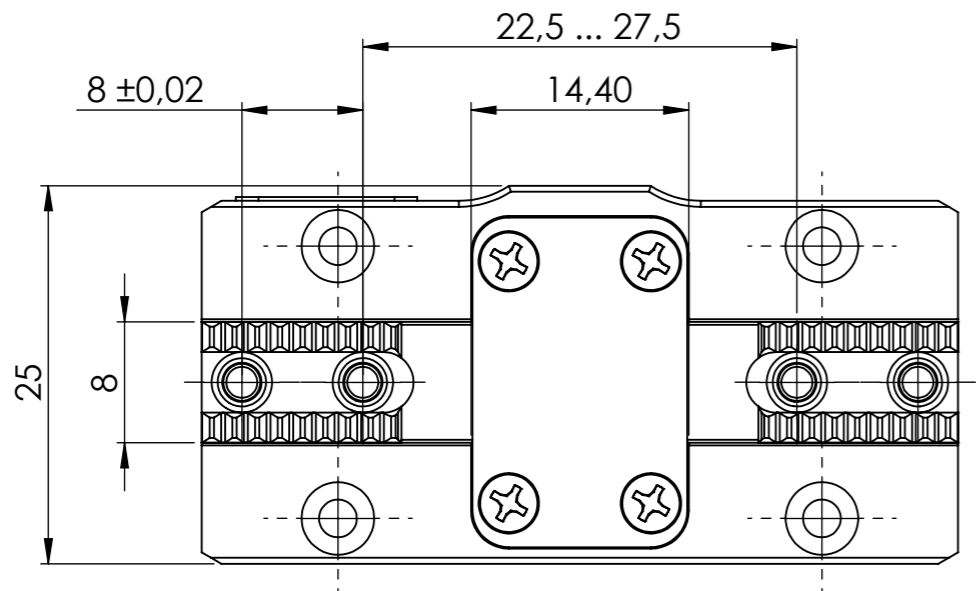
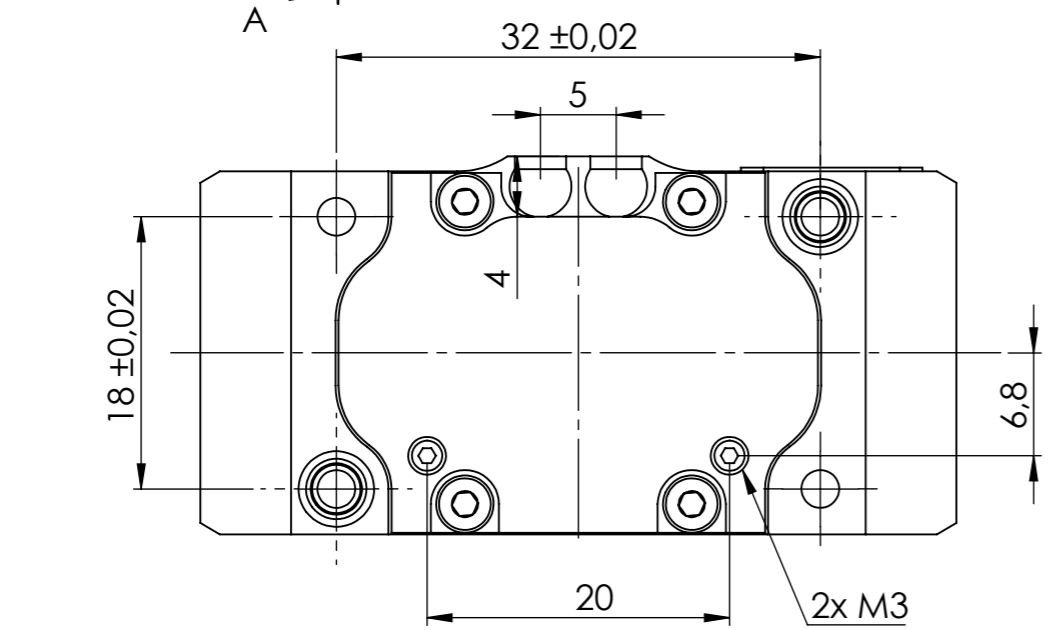


8 7 6 5 4 3 2 1

F
E
D
C
B
A



SECTION A-A



F
E
D
C
B
A

Drawing is property of CNC İleri Teknoloji ve Tic. Ltd. Şti. and all rights are reserved.			
CATALOG NUMBER: 0000067443	PRODUCT NAME: Parallel Gripper 40 Standart Serrated	Scale: 1:1	Sheet: 1 of 1
8	7	6	5
4	3	2	1

