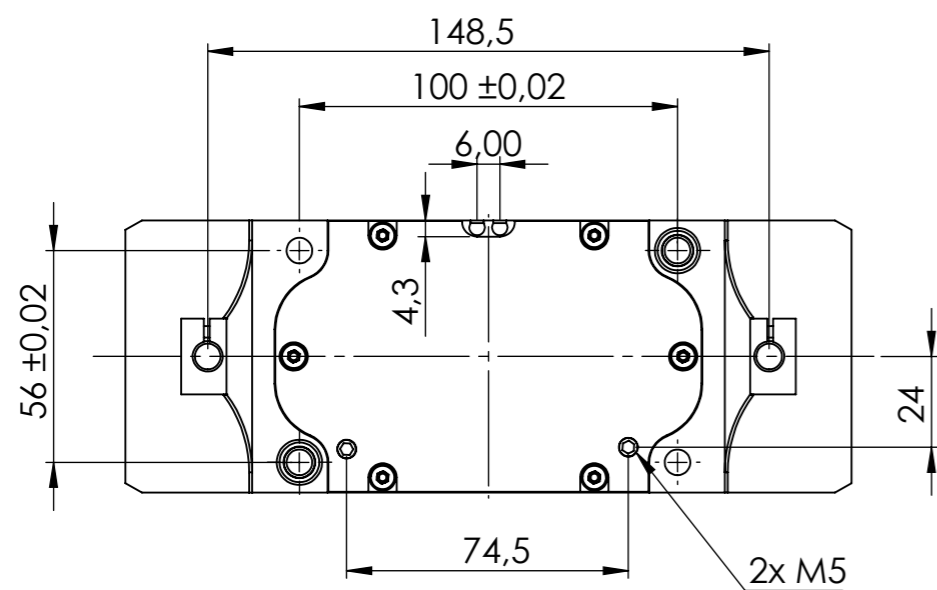


SECTION A-A



Drawing is property of CNC İleri Teknoloji ve Tic. Ltd. Şti. and all rights are reserved.



CATALOG NUMBER: 0000094257

PRODUCT NAME: Parallel Gripper 160 Standart

Scale: 1:1

Sheet: 1 of 1

