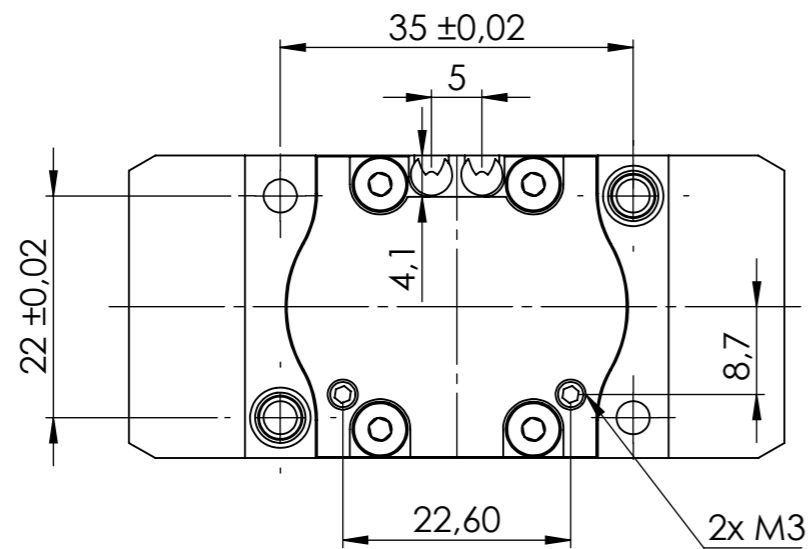


SECTION A-A
SCALE 2 : 1.5



Drawing is property of CNC İleri Teknoloji ve Tic. Ltd. Şti. and all rights are reserved.



CATALOG NUMBER: 0000067430

PRODUCT NAME:
Parallel Gripper 50
Standart Serrated

Scale: 1:1

Sheet: 1 of 1

