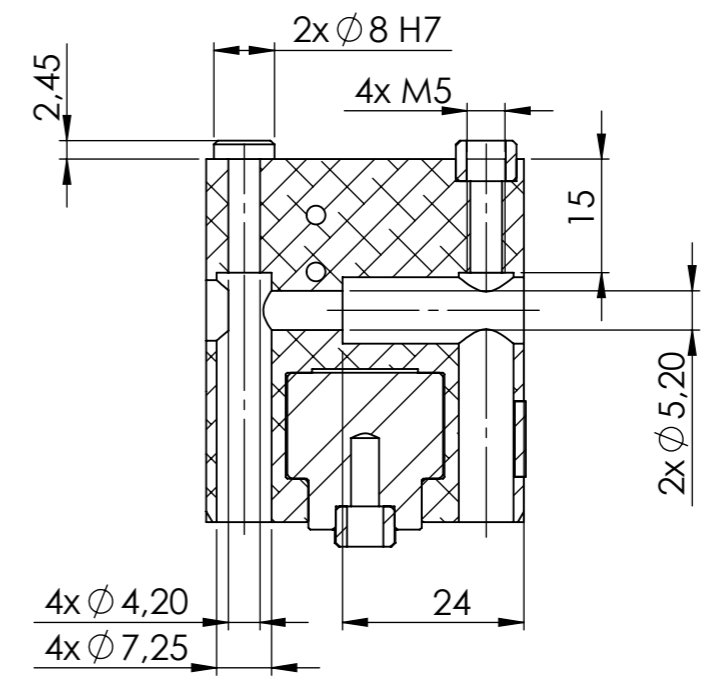
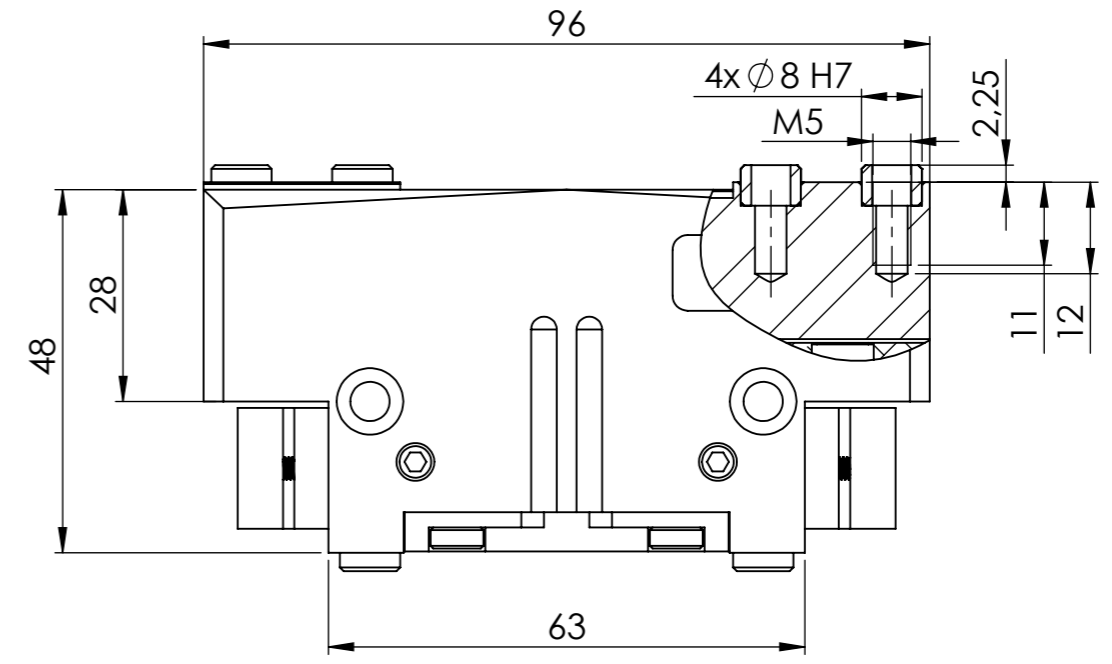
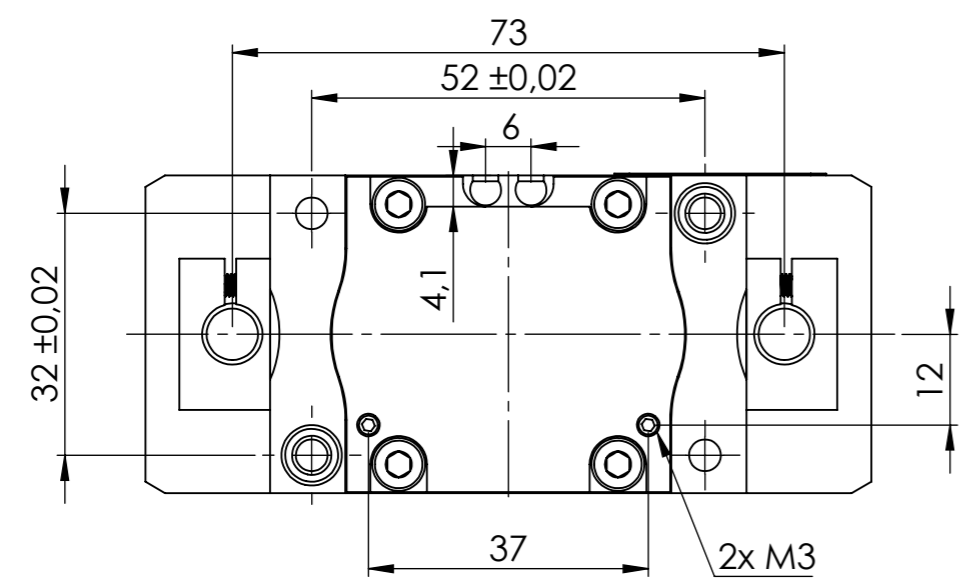
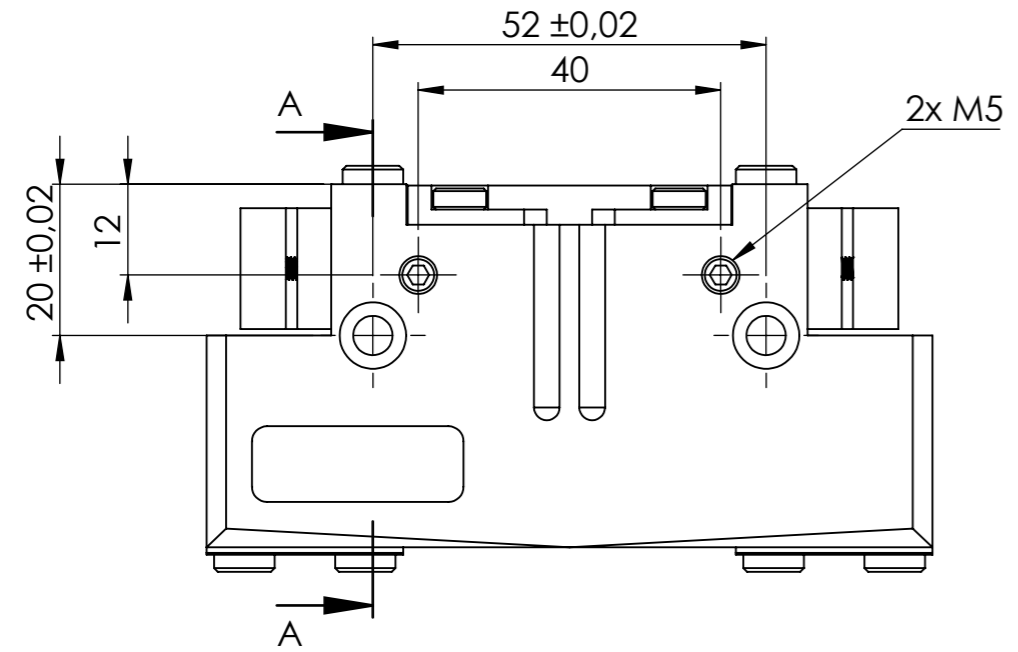
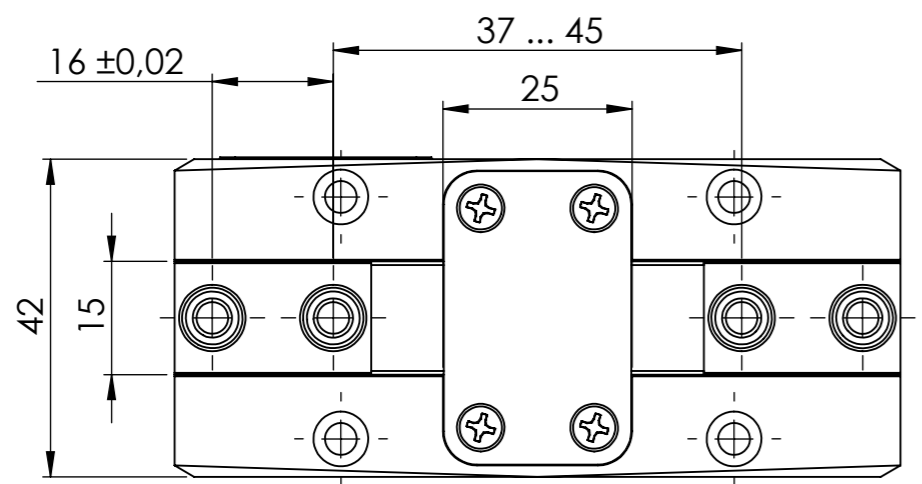




8 7 6 5 4 3 2 1

F
E
D
C
B
A



SECTION A-A

Drawing is property of CNC İleri Teknoloji ve Tic. Ltd. Şti. and all rights are reserved.			 
CATALOG NUMBER: 0000038095	PRODUCT NAME: Parallel Gripper 80 Heavy Duty	Scale: 1:1	

8 7 6 5 4 3 2 1