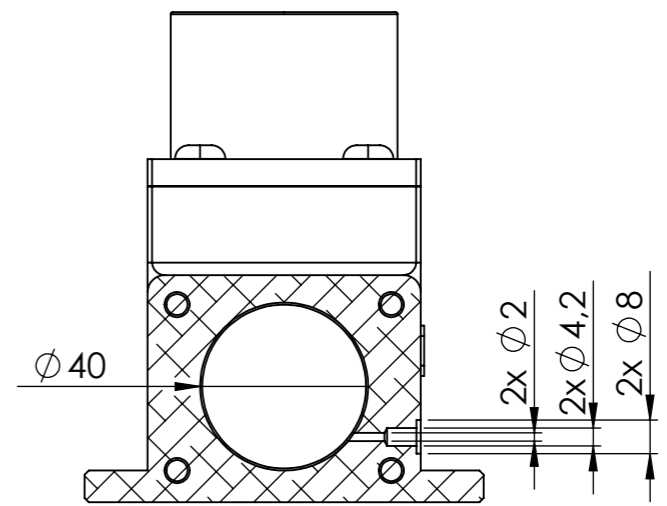
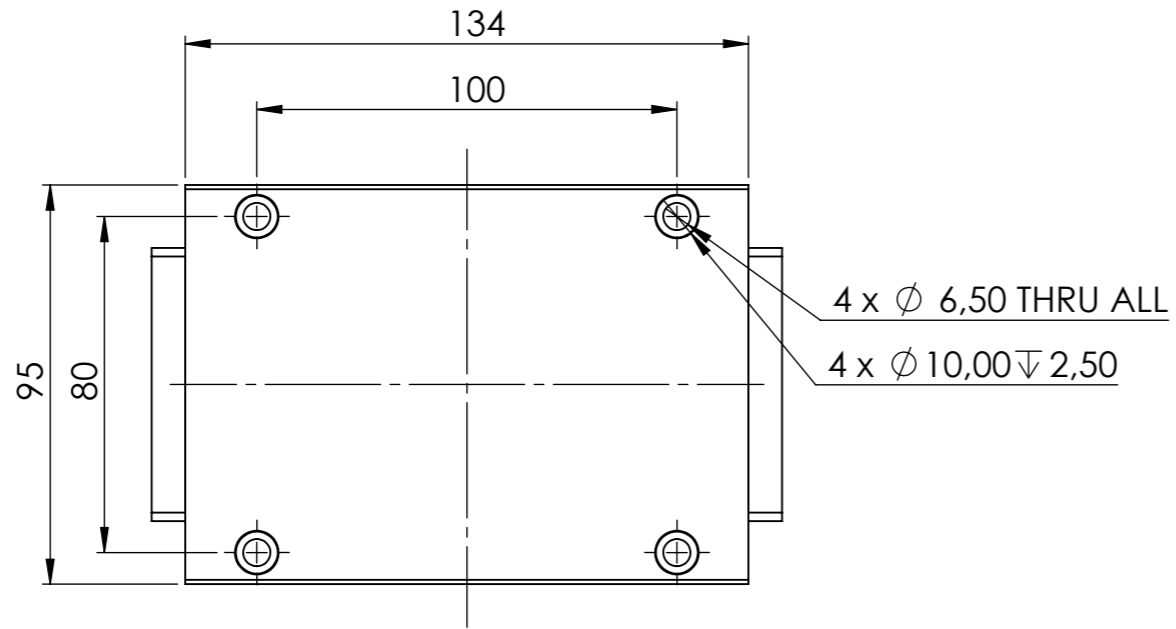


VIEW A
SCALE 1 : 1.8



SECTION E-E
SCALE 1 : 1.8

Drawing is property of CNC İleri Teknoloji ve Tic. Ltd. Şti. and all rights are reserved.



CATALOG NUMBER: 0000055970

PRODUCT NAME: PULL GRIPPER 20

Scale: 1:1

Sheet: 1 of 1

